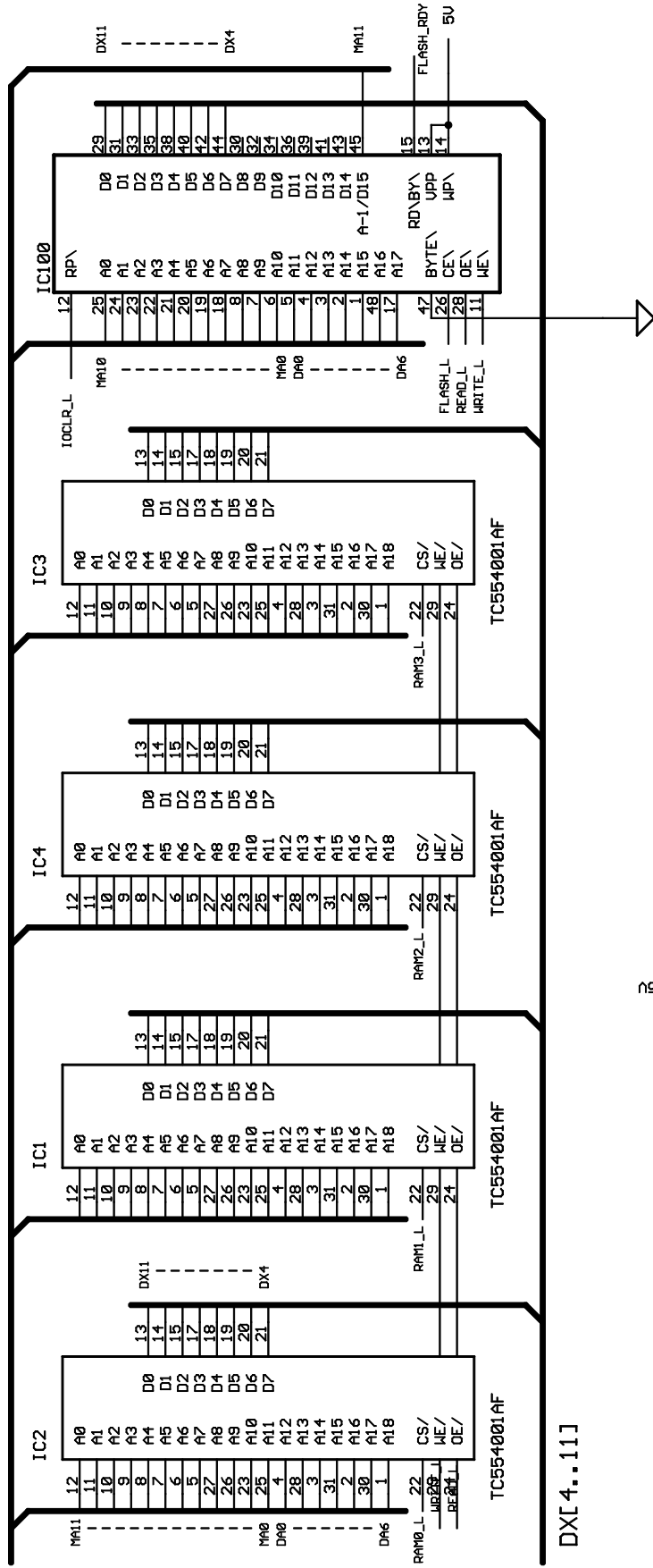


All volatile ICs' supplies are connected to 5V

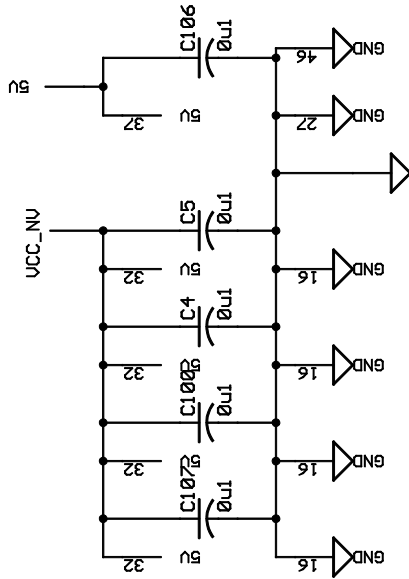
Bus I/F, Decoding, Power
TITLE: iob6
Document Number:
REV:
Date: not saved!
Sheet: 1/6

NU RAM & Flash ROM

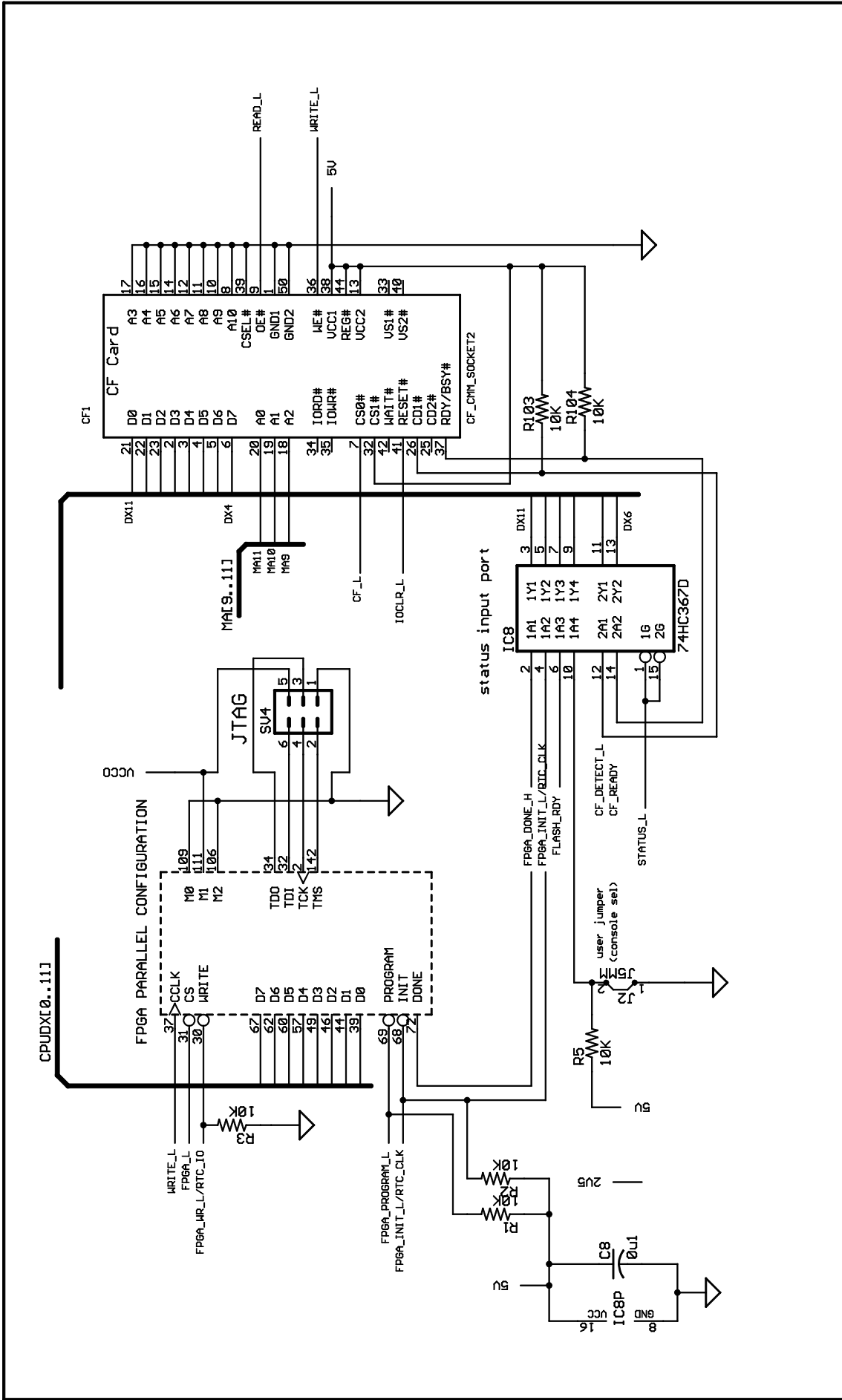
MA[0..11],EM[0..21],DA[0..7]



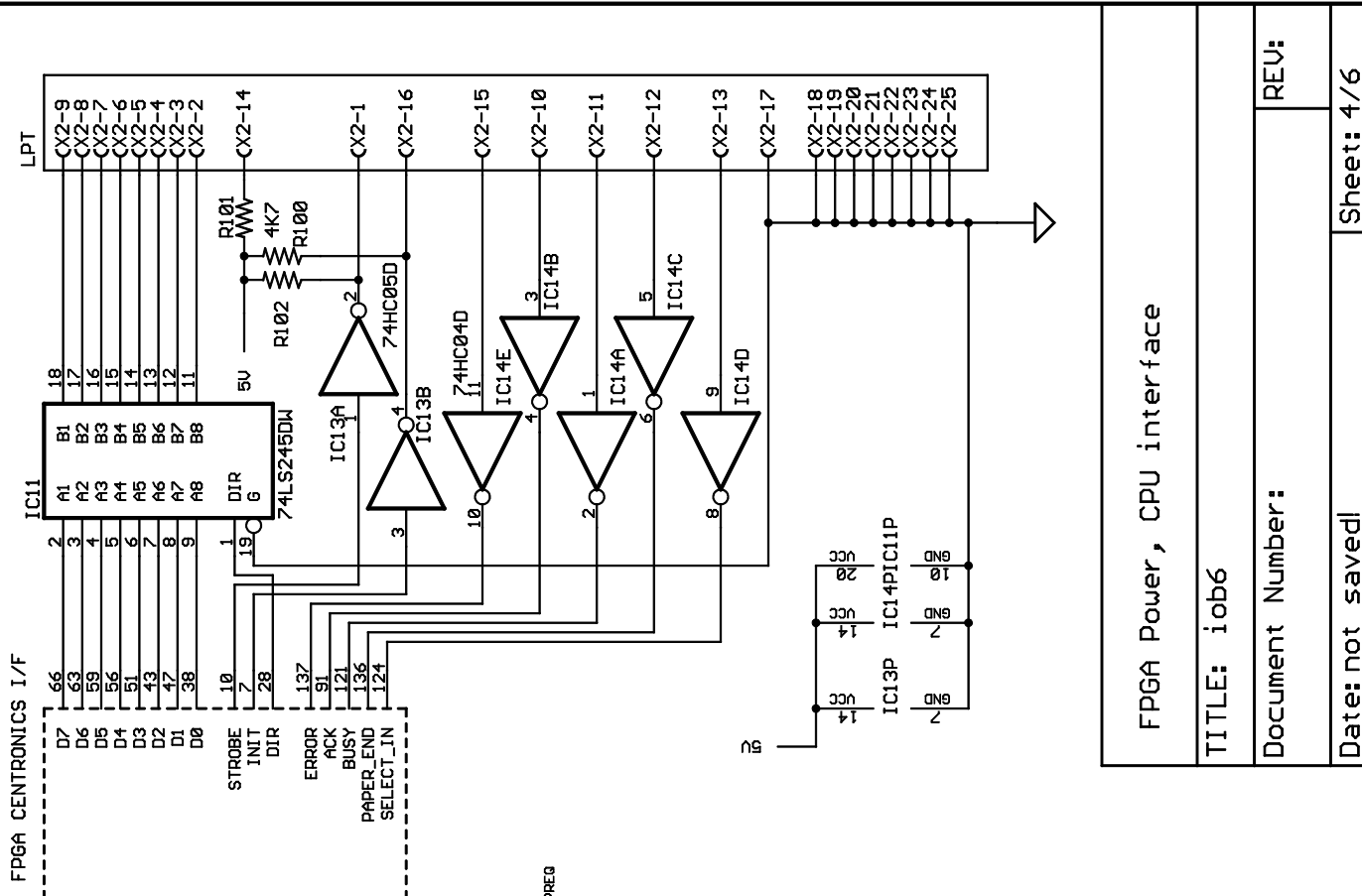
DX[4..11]



Memory
TITLE: iob6
Document Number:
REV:
Date: not saved!
Sheet: 2/6



CompactFlash, Status Read Buffer	
TITLE: iob6	
Document Number:	REV:
Date: not saved!	Sheet: 3/6



FPGA Power, CPU interface

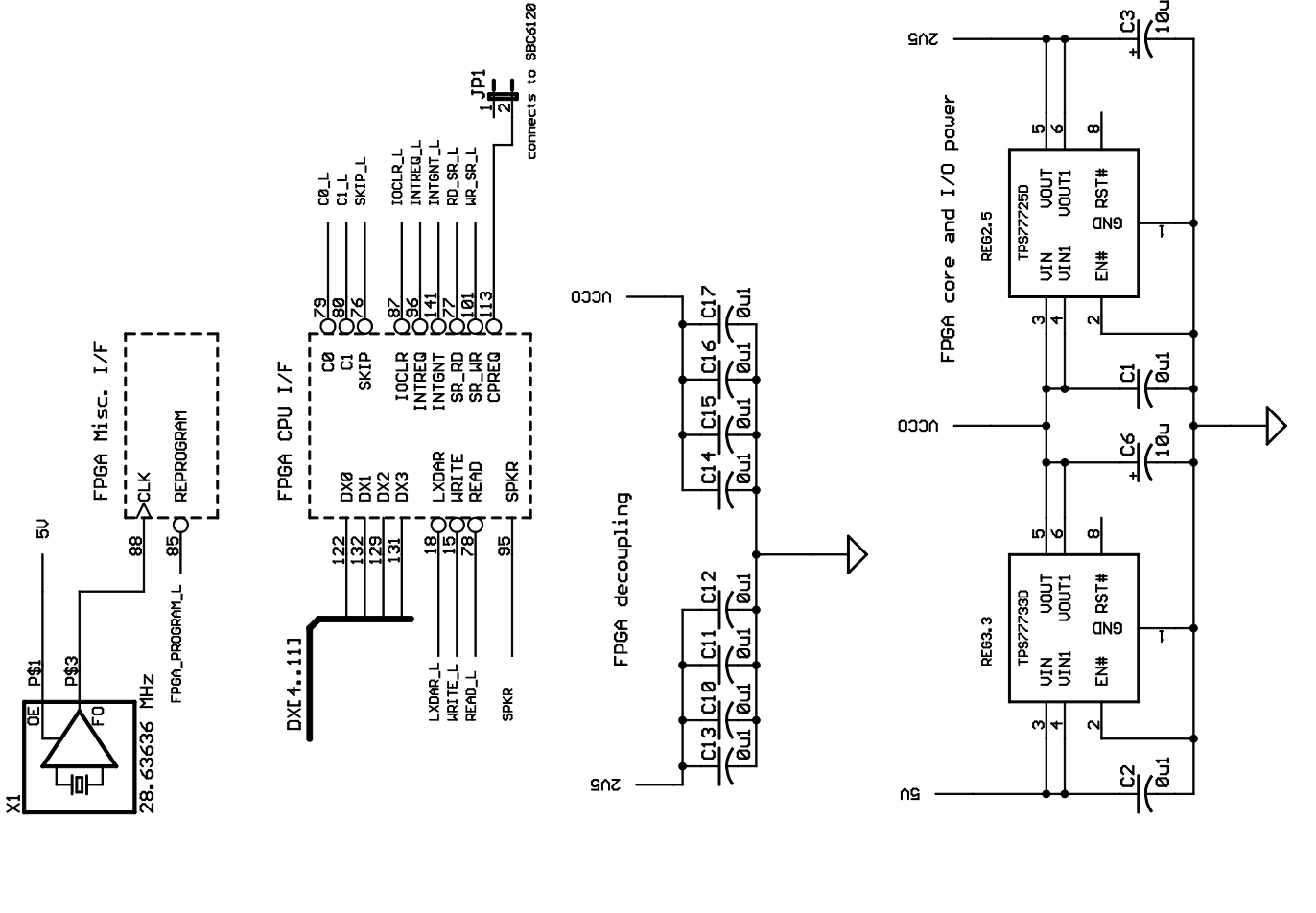
TITLE: iob6

Document Number:

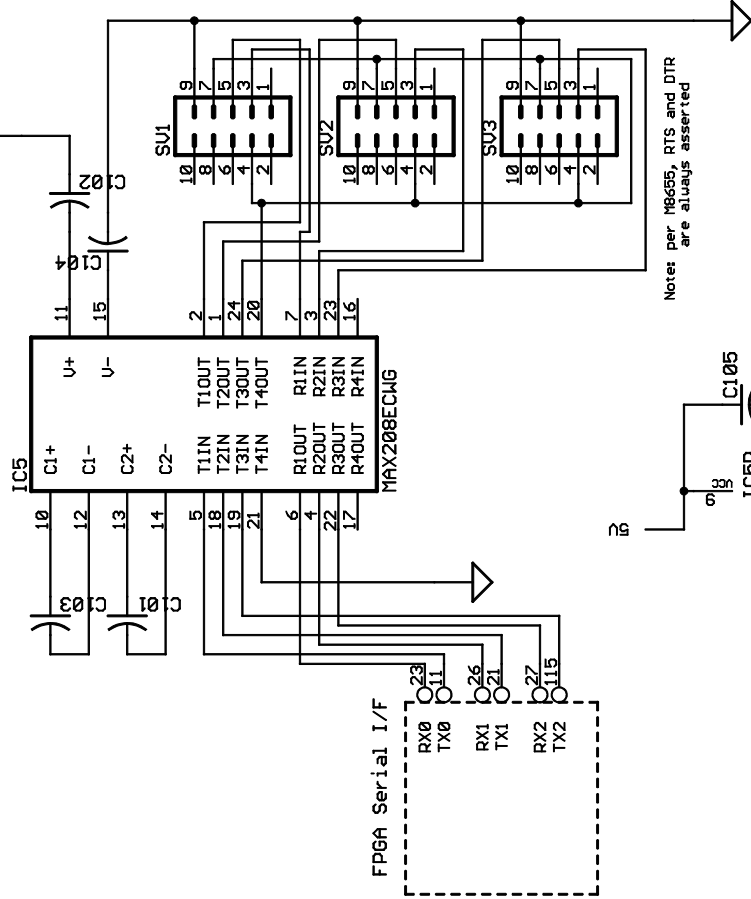
REV:

Date: not saved!

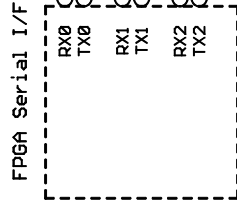
Sheet: 4/6



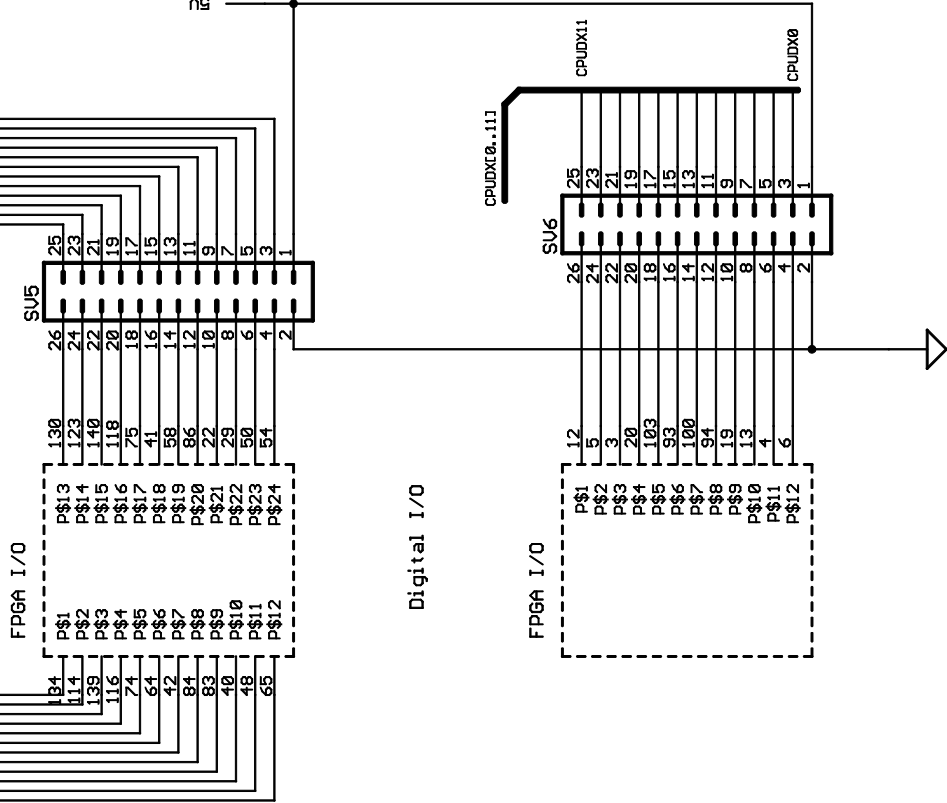
Serial ports



Note: per M8655, RTS and DTR are always asserted



Digital I/O



Serial ports, programmable I/O

TITLE: iob6

Document Number:

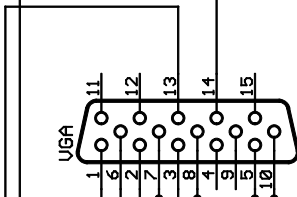
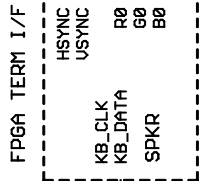
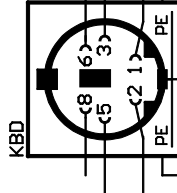
REV:

Date: not saved

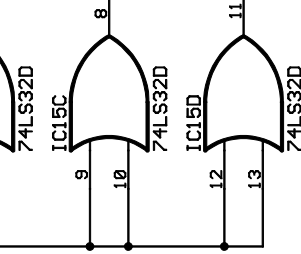
Sheet: 5/6

ns

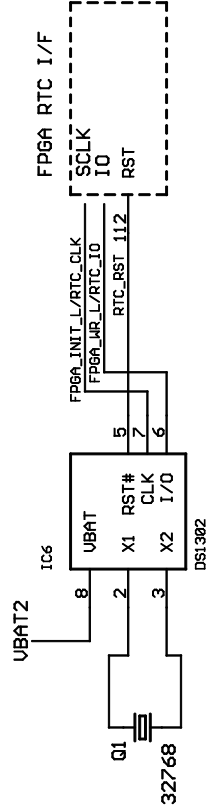
PS/2 Keyboard



Speaker



Real-time Clock (opt)



UT-52

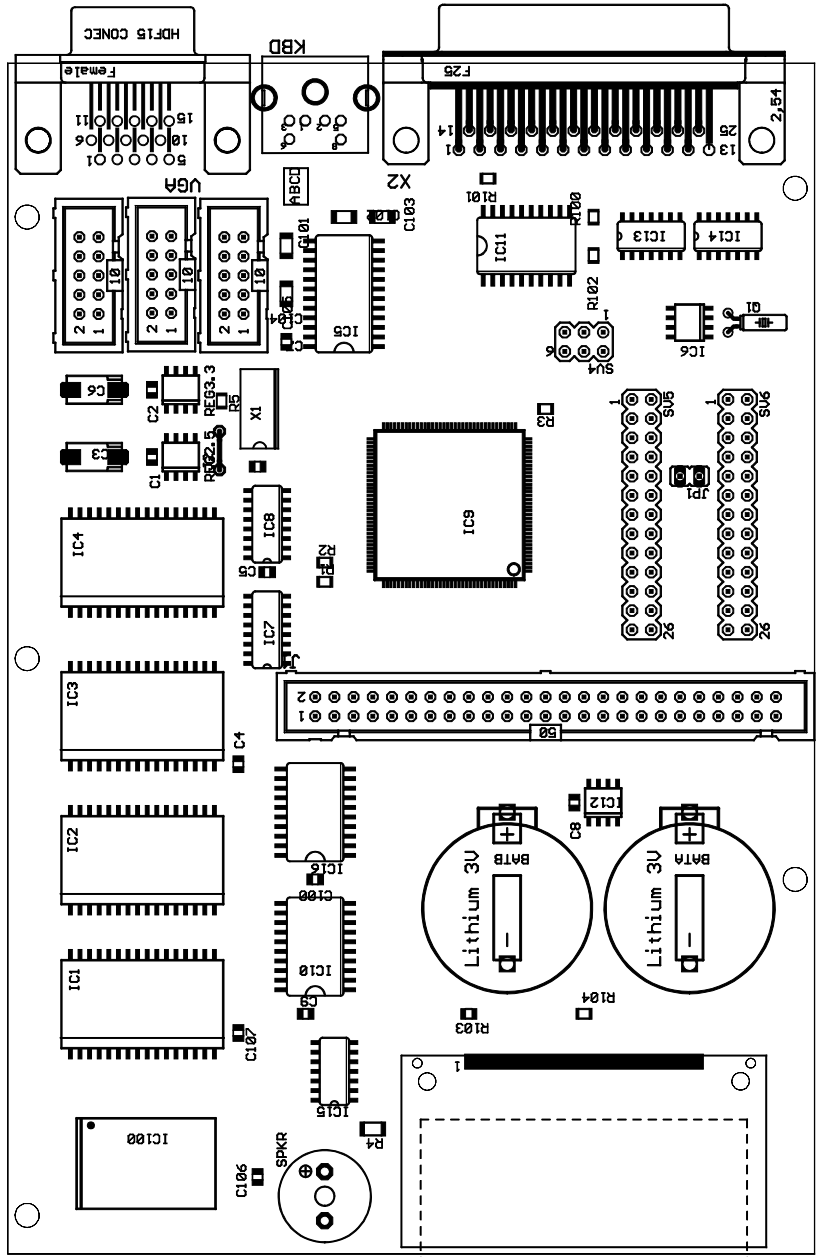
TITLE: iob6

Document Number:

REV:

Date: not saved!

Sheet: 6/6



Top Silk