

Bus I/F, Decoding, Power

TITLE: iob6

Document Number:

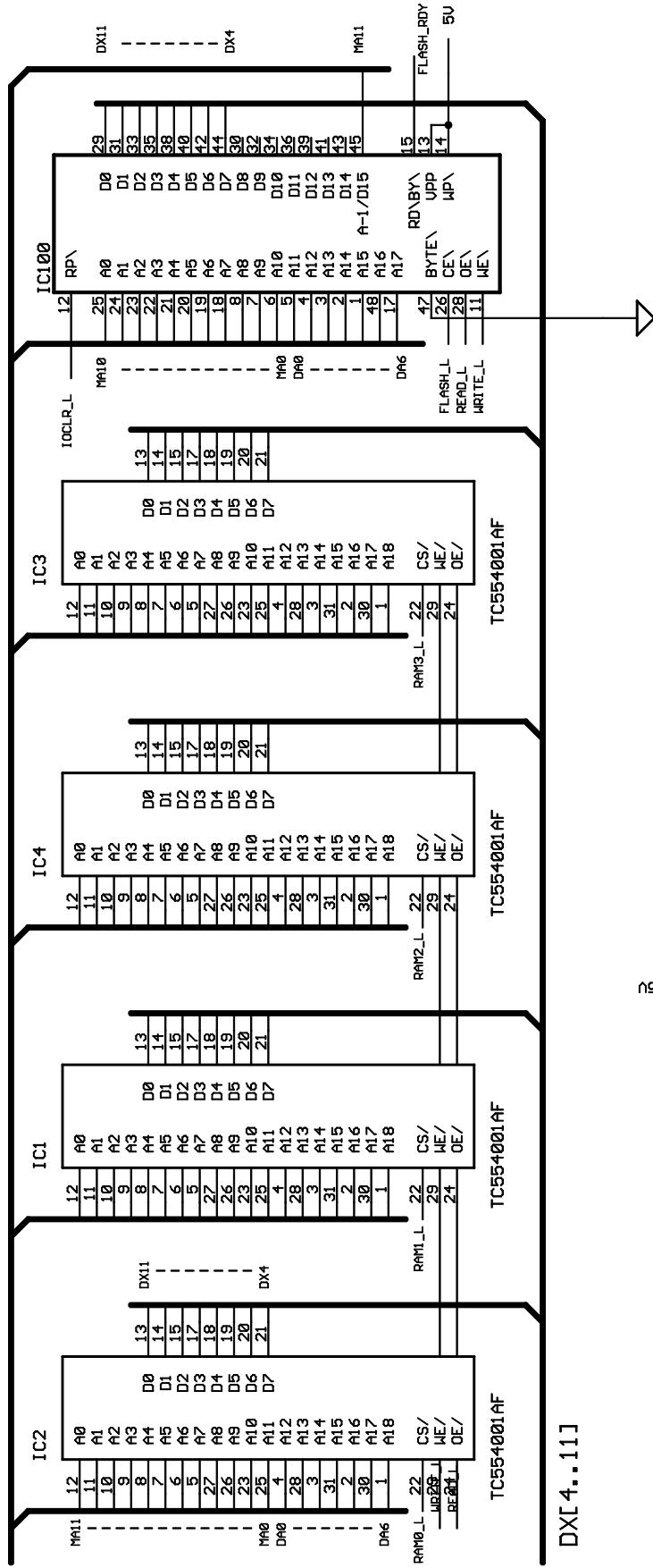
REV:

Date: 1/15/2003 10:17:56p

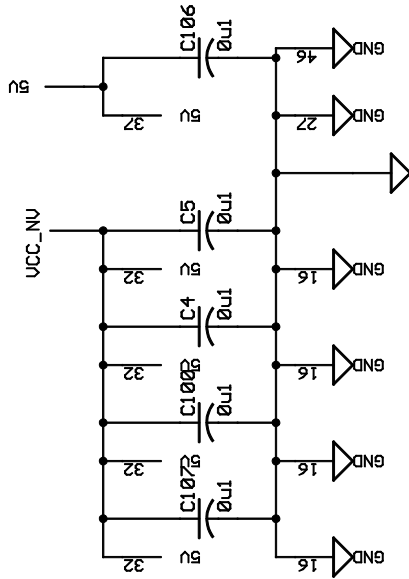
Sheet: 1/6

NU RAM & Flash ROM

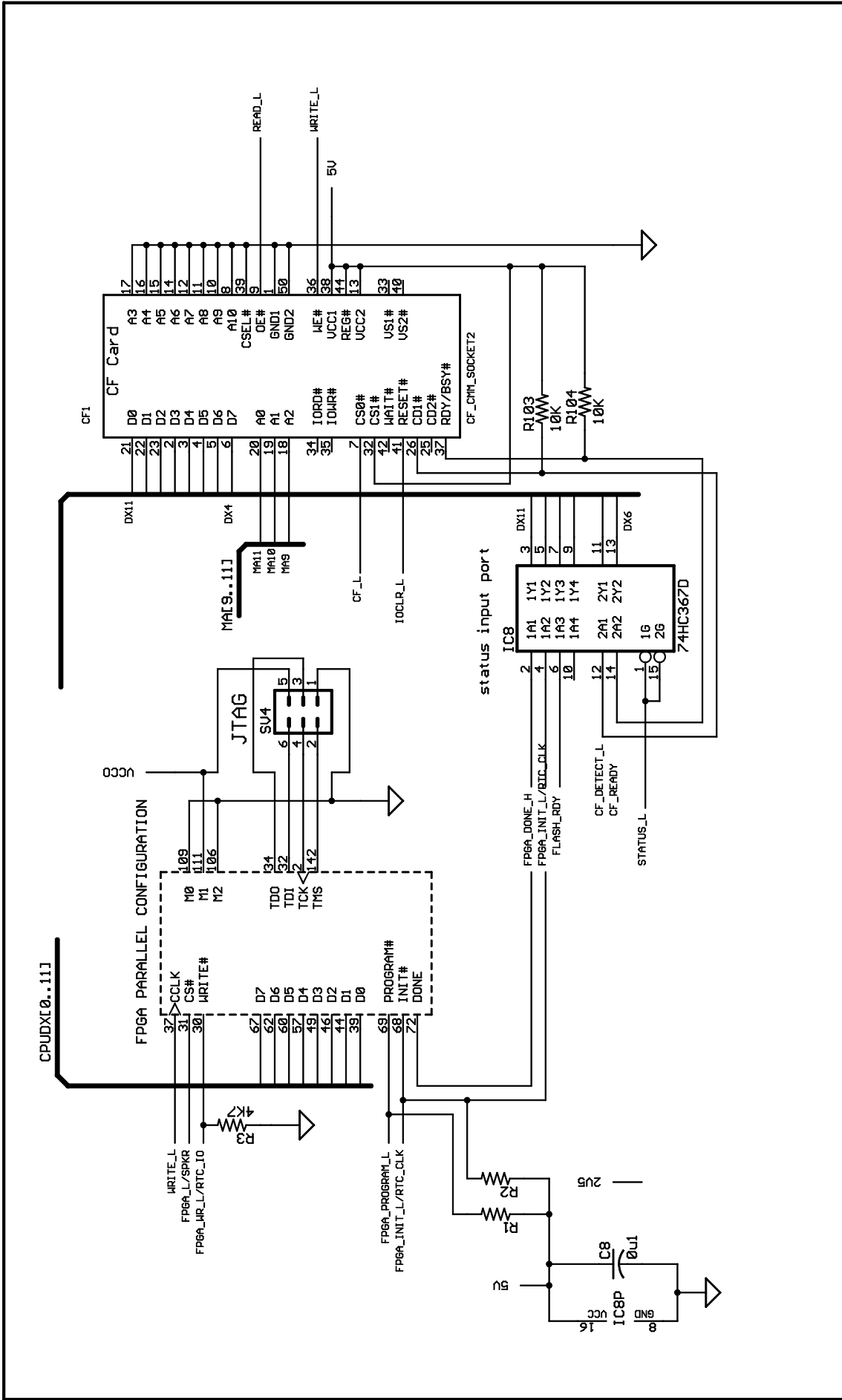
MA[0..11],EM[A0..21],DA[0..7]



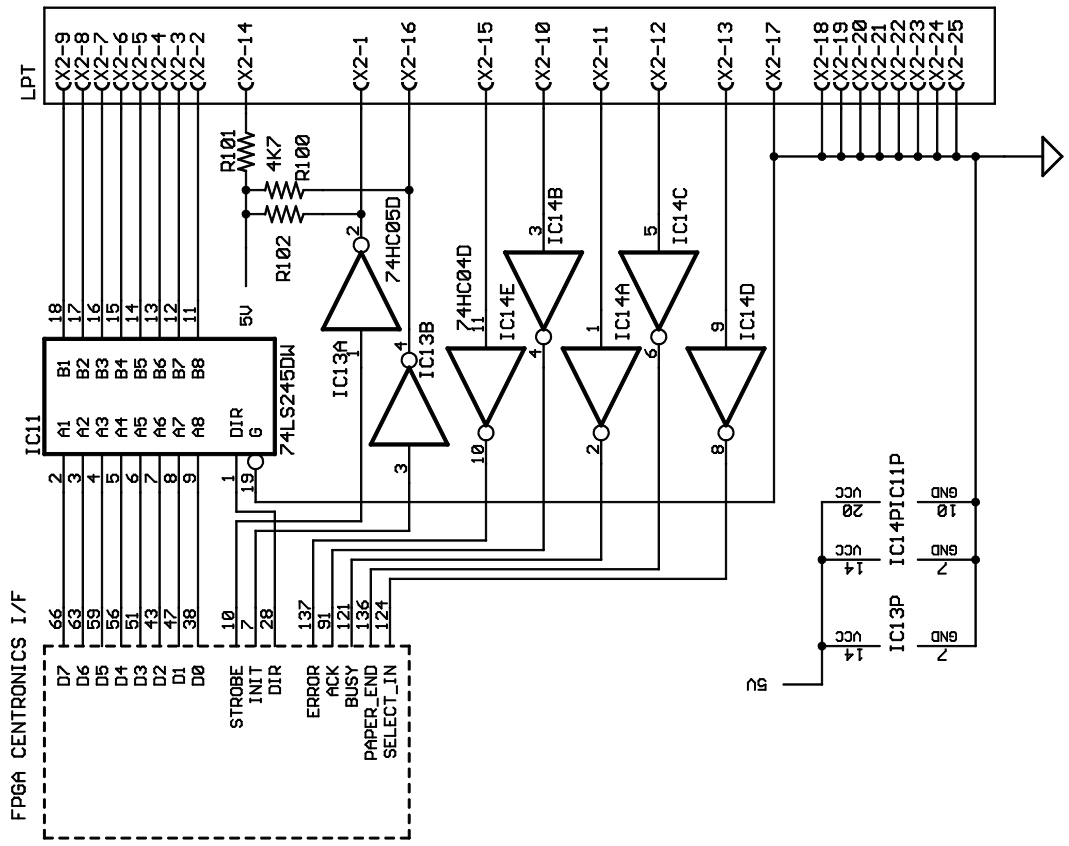
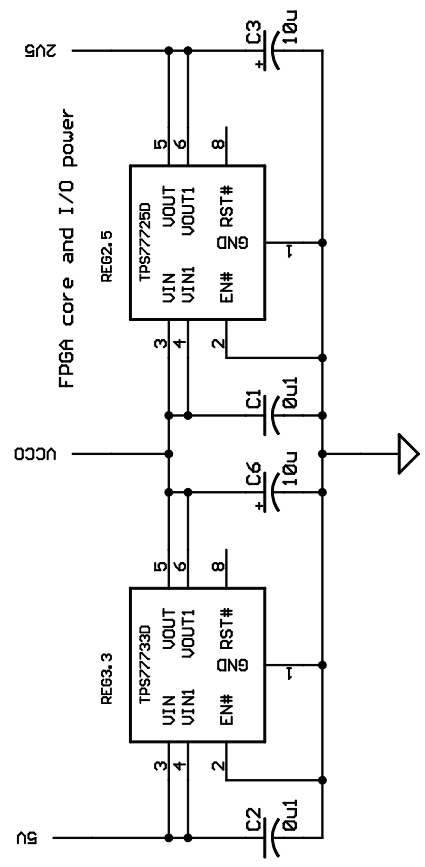
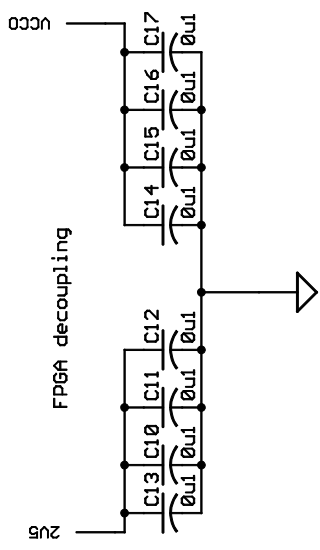
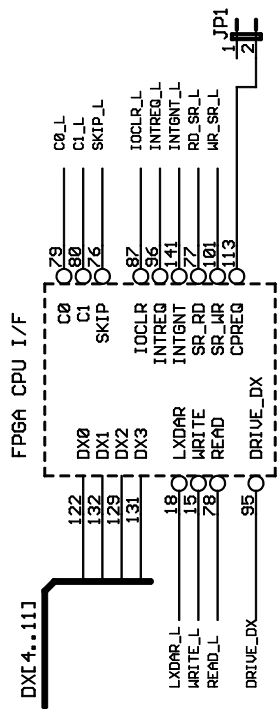
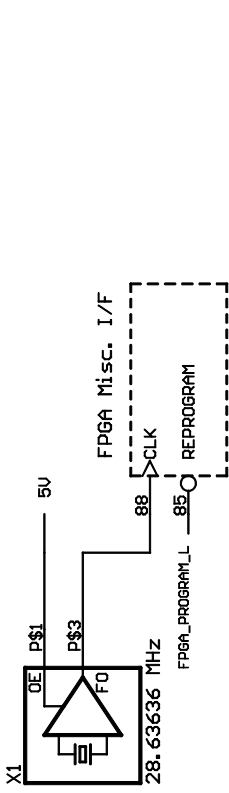
DX[4..11]



Memory
TITLE: iob6
Document Number:
REV:
Date: 1/15/2003 10:17:56p
Sheet: 2/6

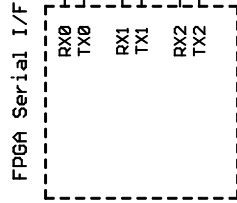
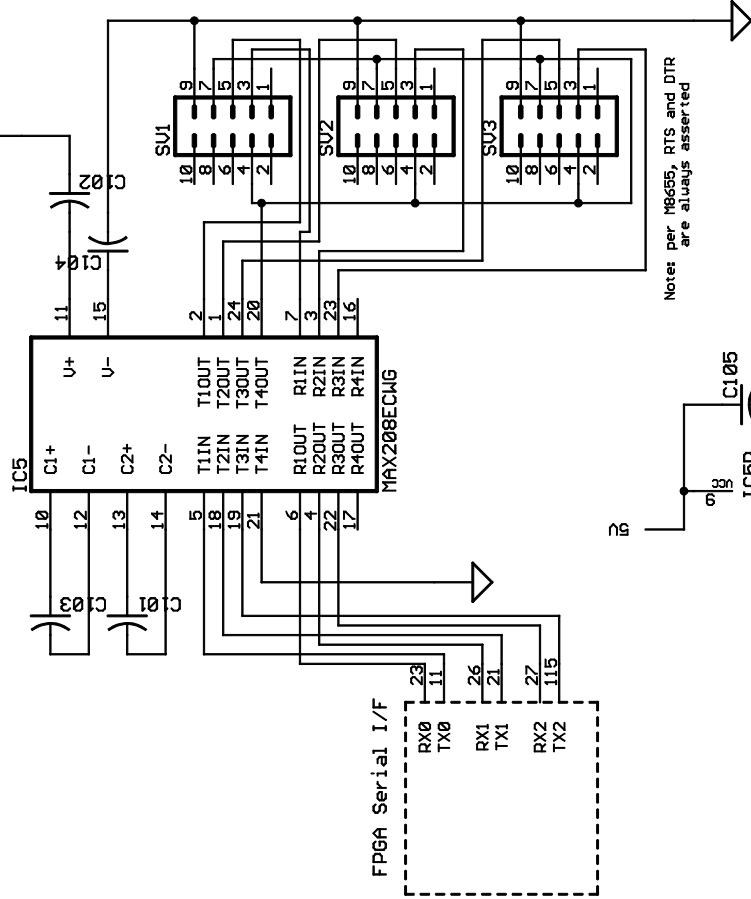


CompactFlash, Status Read Buffer	
TITLE: iob6	
Document Number:	REV:
Date: 1/15/2003 10:17:56p	Sheet: 3/6

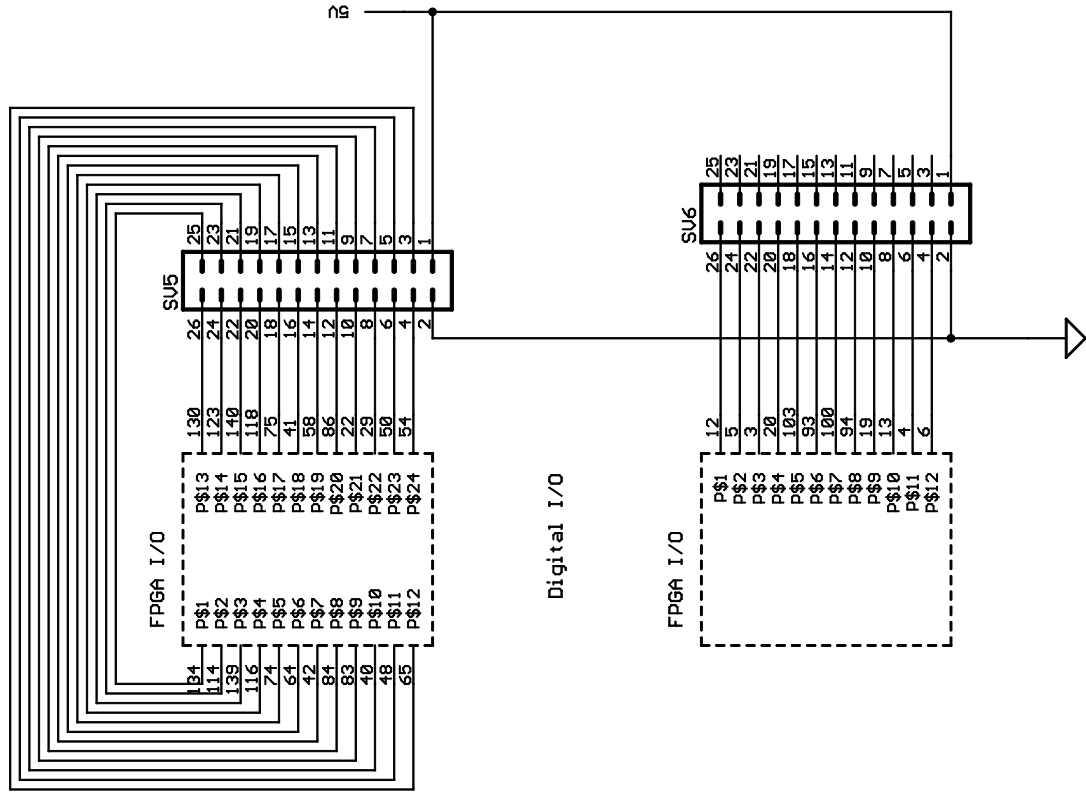


FPGA Power, CPU interface	
TITLE: iob6	
Document Number:	REV:
Date: 1/15/2003 10:17:56p	Sheet: 4/6

Serial ports



Digital I/O



Serial ports, programmable I/O

TITLE: iob6

Document Number:

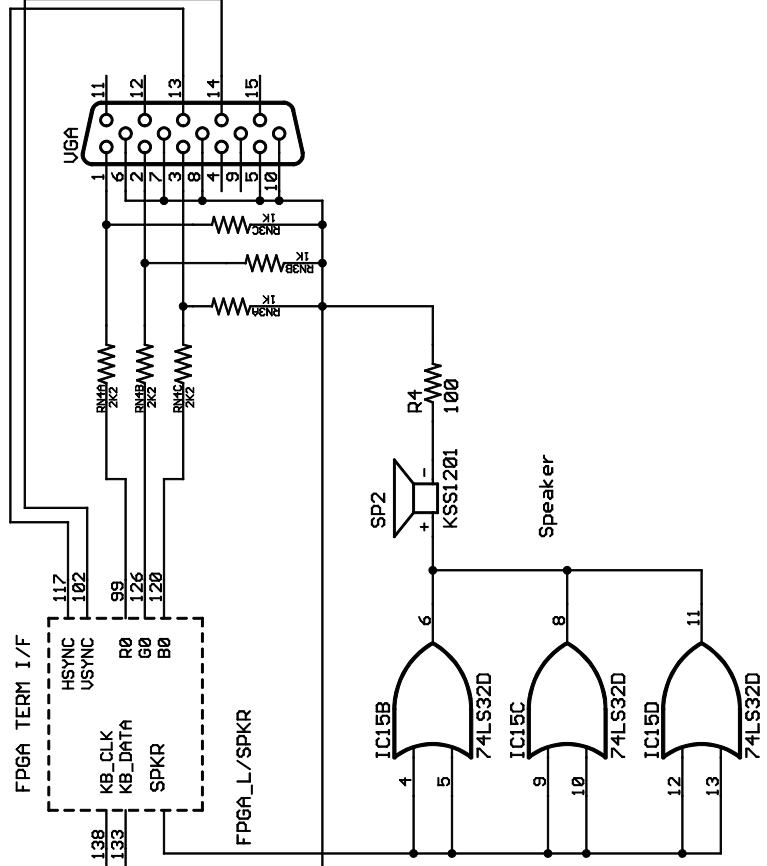
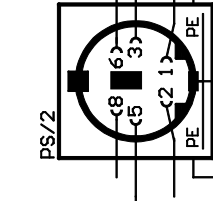
REV:

Date: 1/15/2003 10:17:56p

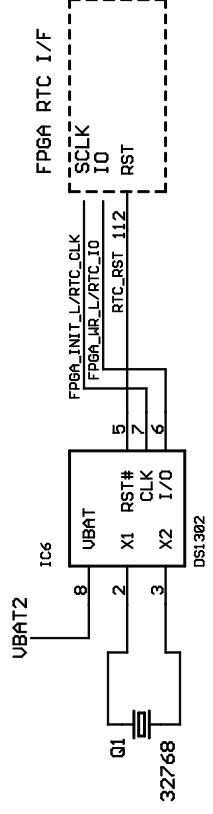
Sheet: 5/6

ns

PS/2 Keyboard



Real-time Clock (opt)



UT-52

TITLE: iob6

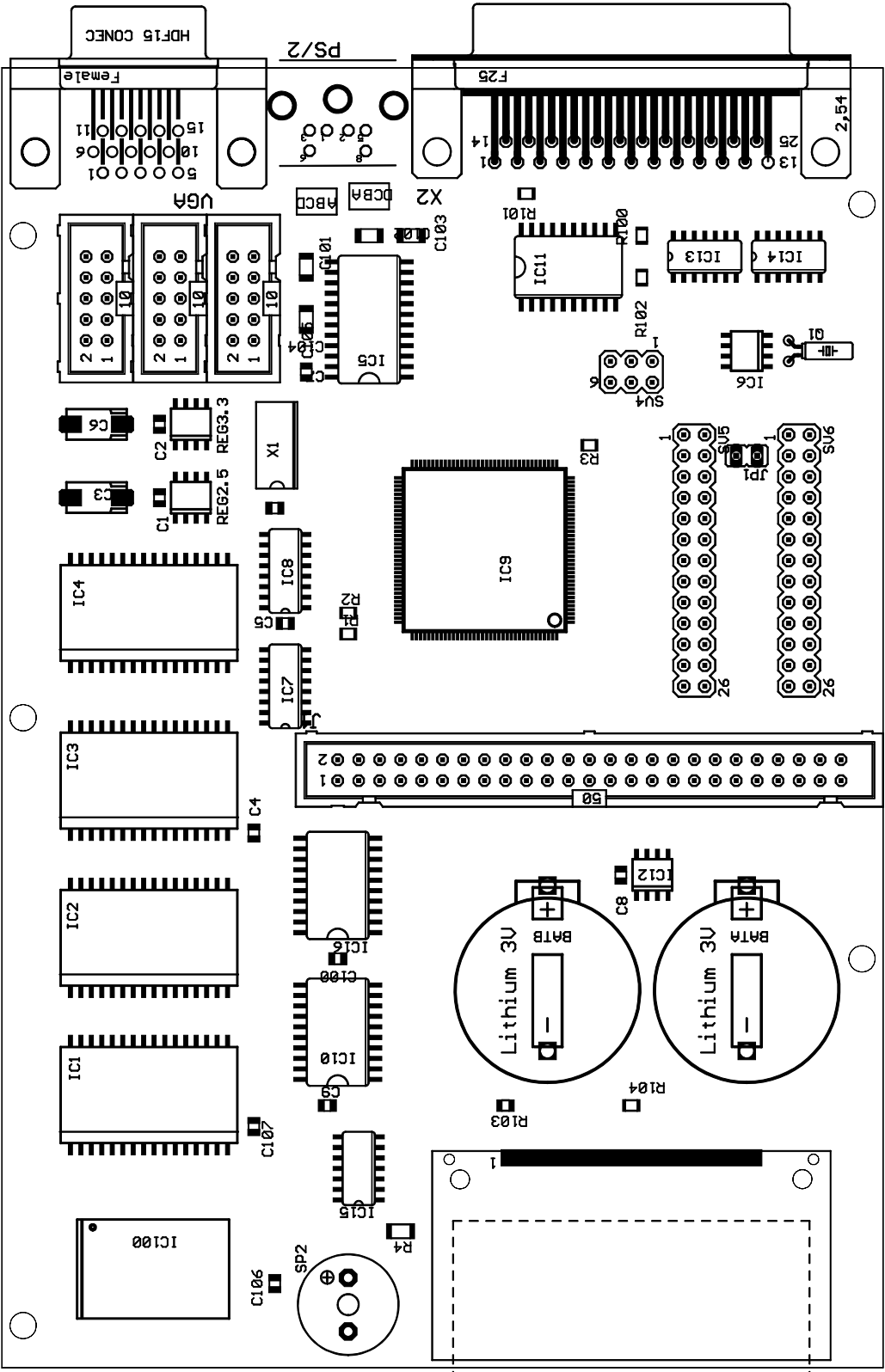
Document Number:

REV:

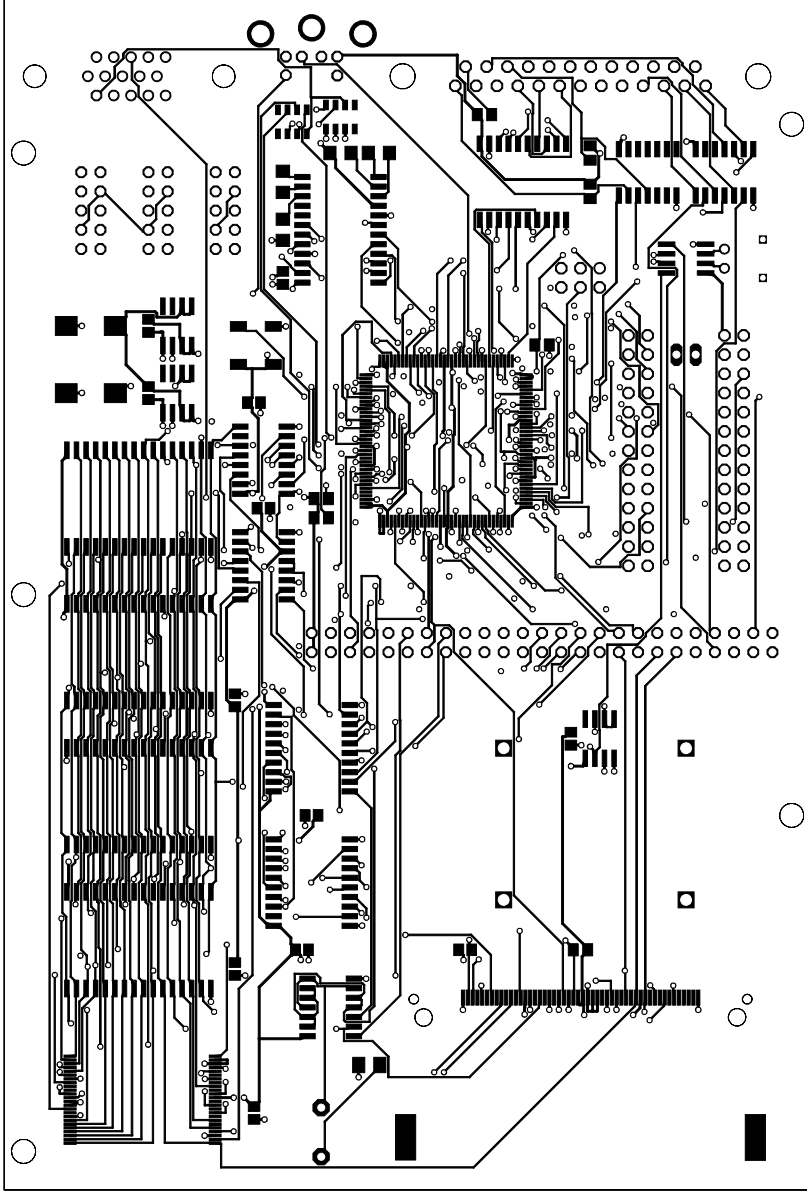
Date: 1/15/2003 10:17:56p

Sheet: 6/6

# Top Silk

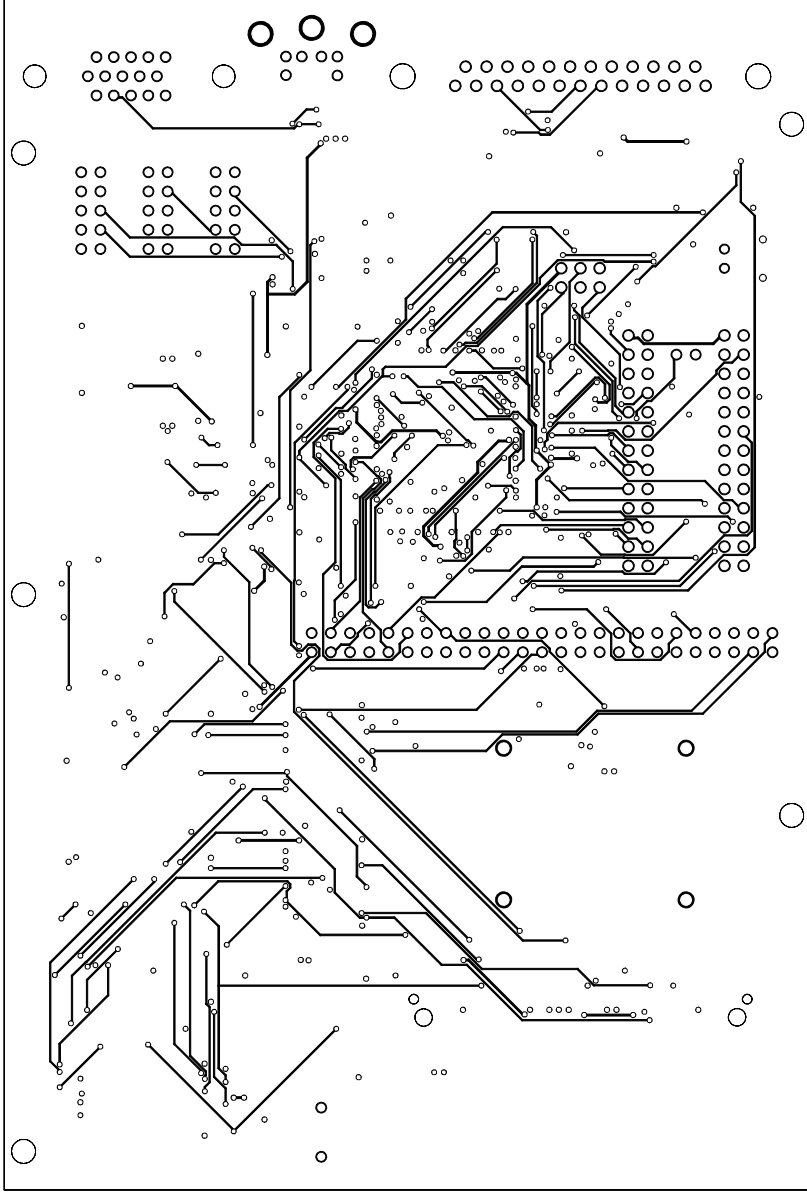


Compact Flash Type I

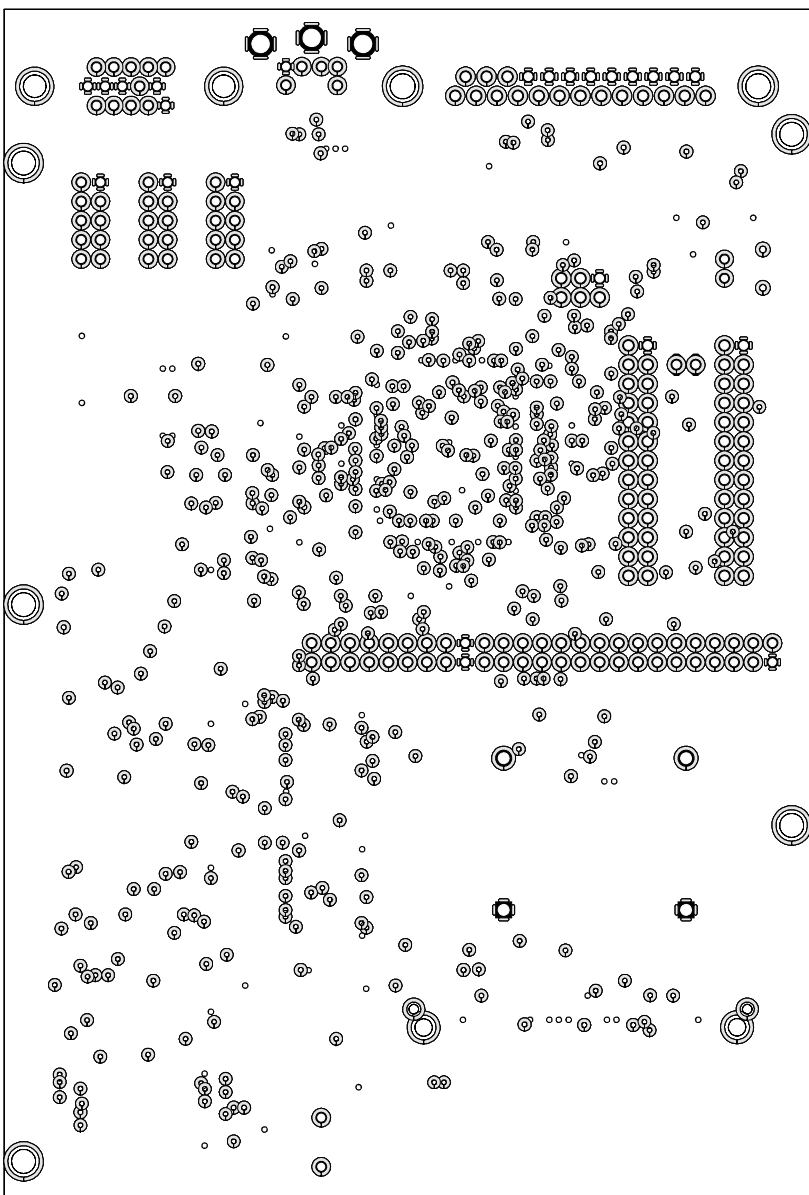


Top

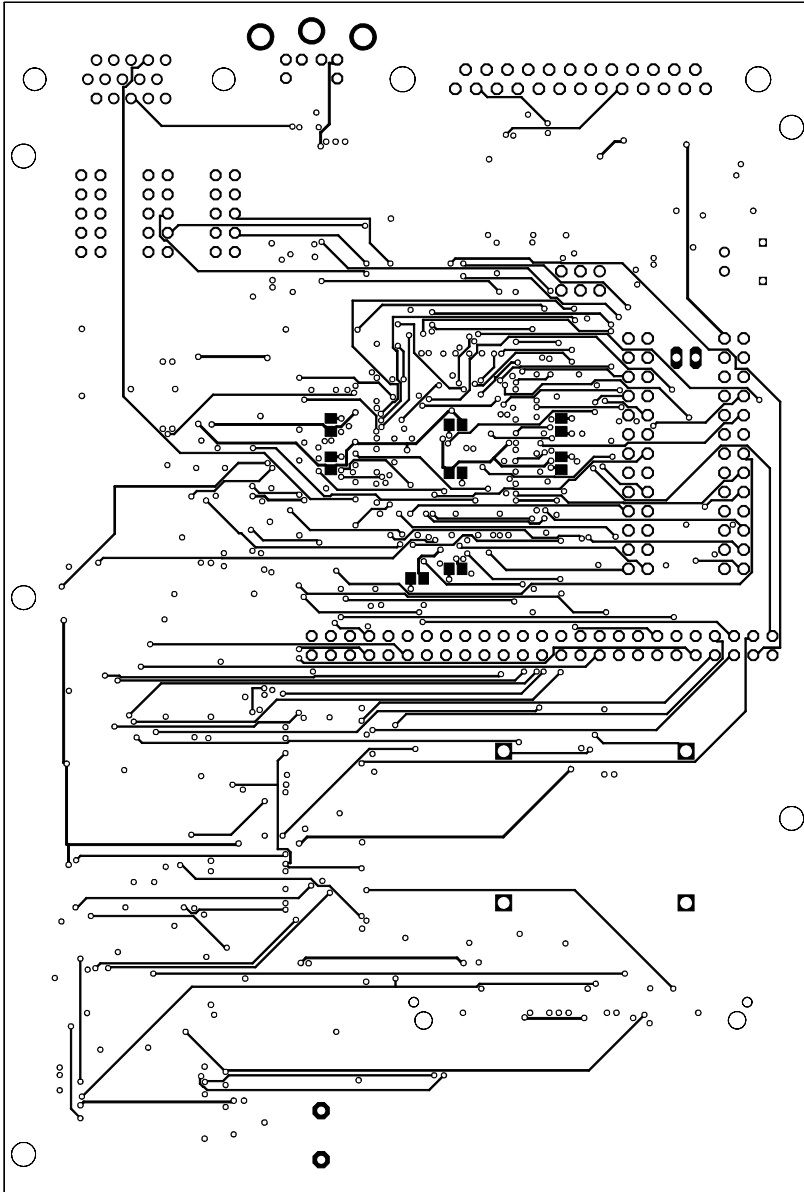




Layer 2



3  
Layer



Bottom