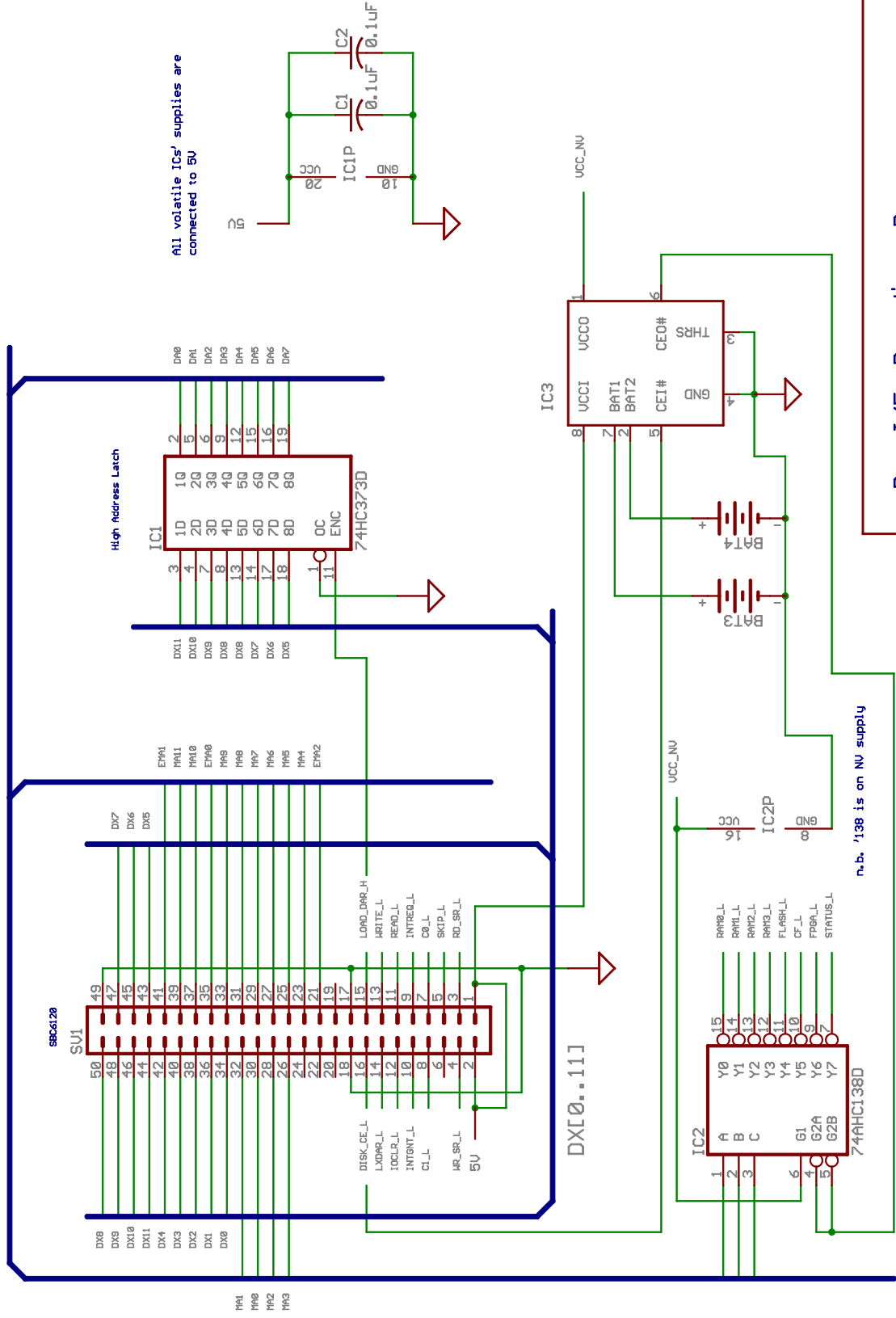


MA[0..11],EMAI[0..2],DAI[0..7]



All volatile ICs' supplies are connected to 5V

Bus I/F, Decoding, Power

TITLE: iob1

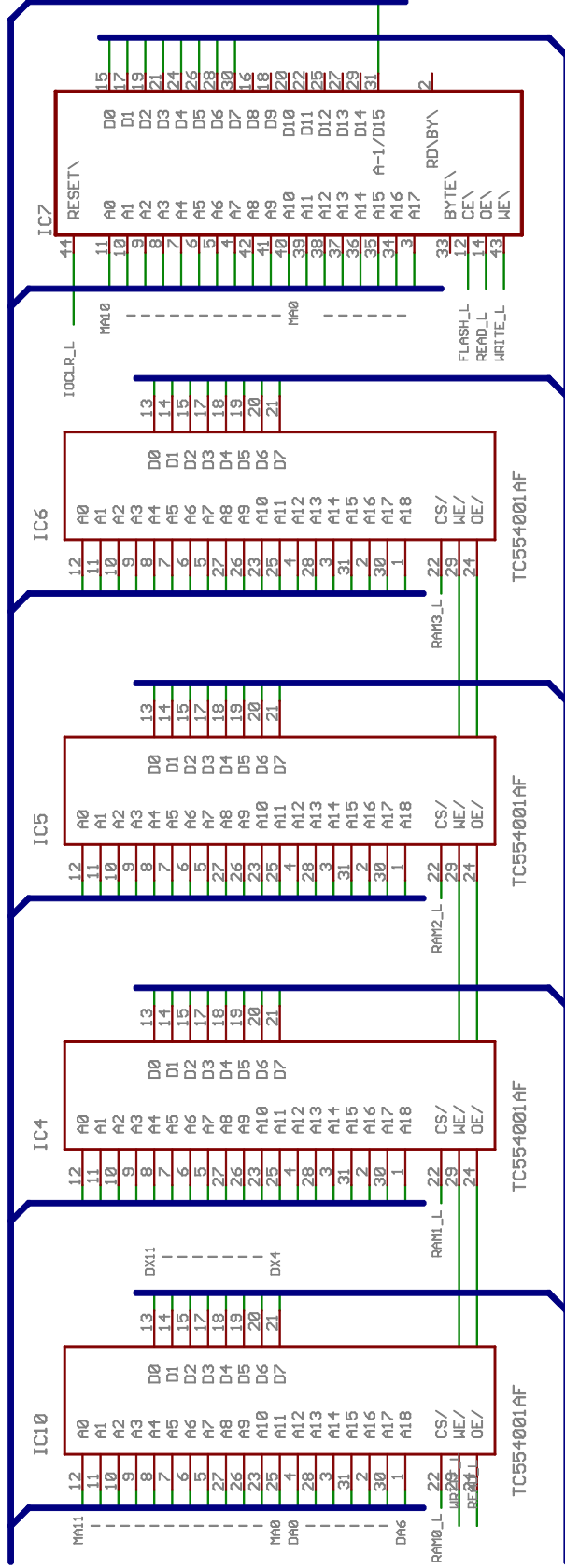
Document Number:

REV:

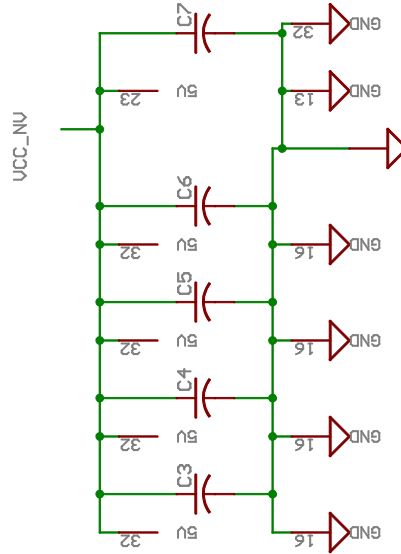
Date: 12/19/2002 05:15:54p

Sheet: 1/3

MA[0..11],EMA[0..2],DA[0..7]



DX[0..11]



TITLE: iob1

Document Number:

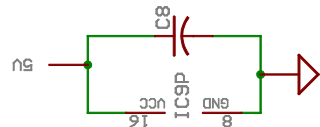
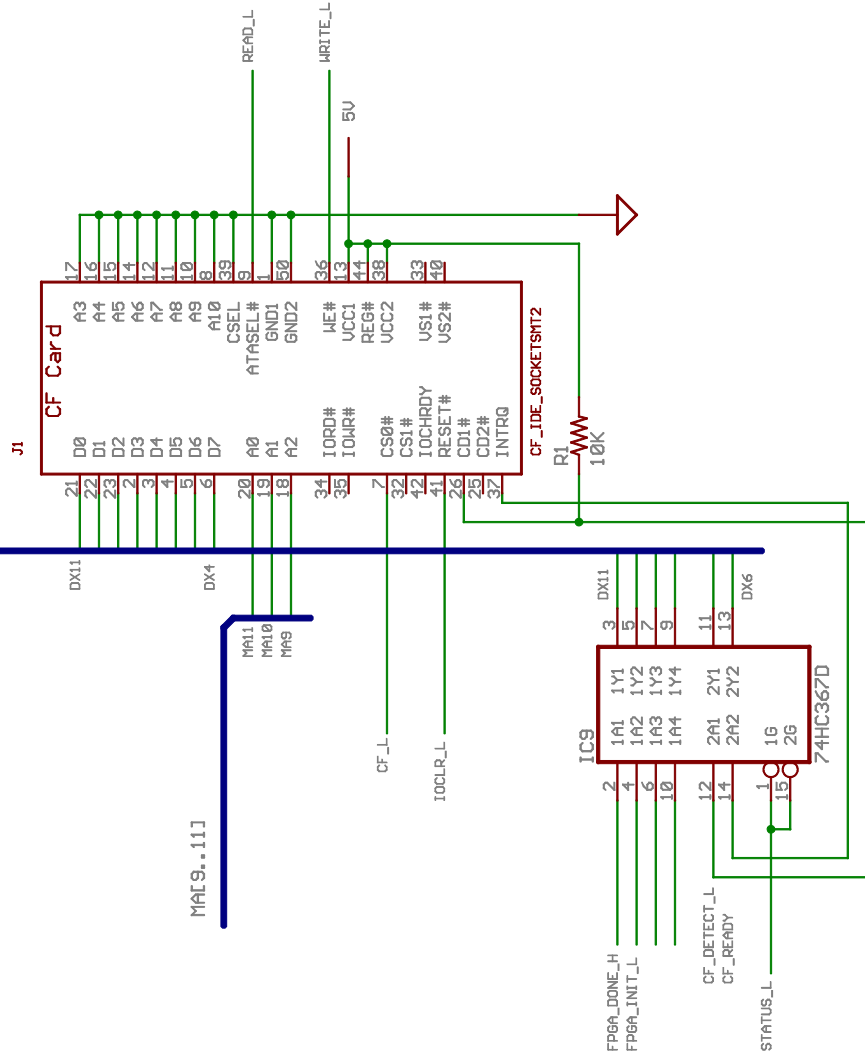
REV:

Date: 12/19/2002 05:15:54p

Sheet: 2/3

DX[4..11]

MA[9..11]



CompactFlash, Status Read Buffer

TITLE: iob1

Document Number:

REV:

Date: 12/19/2002 05:15:54p

Sheet: 3/3

