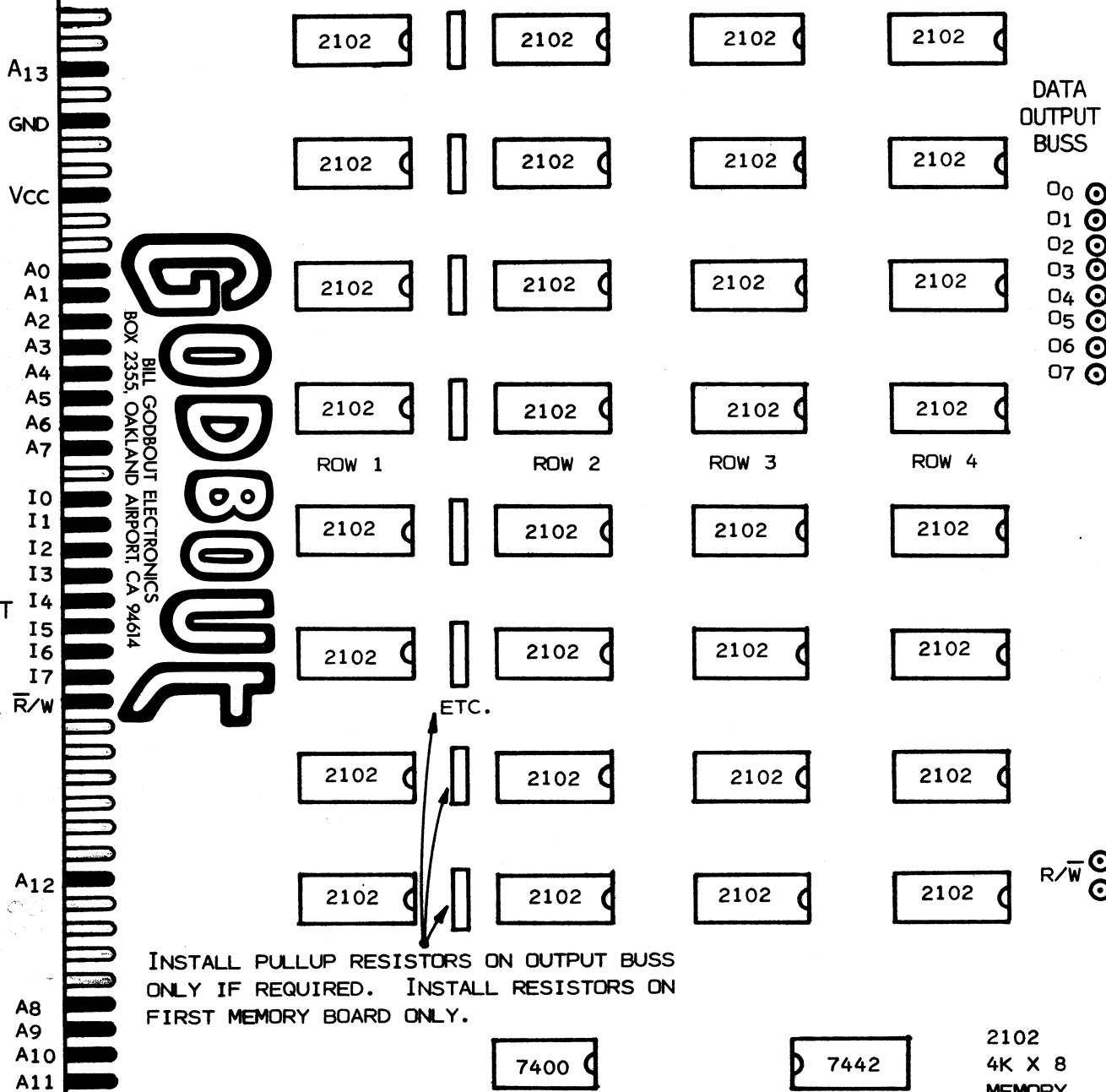
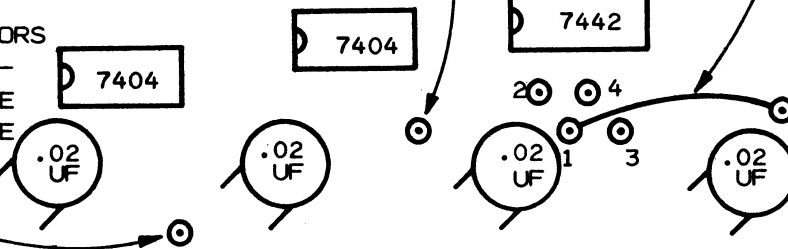


INSTALL SHORT PIECE OF WIRE THRU HOLE, SOLDER TO BOTH SIDES OF BOARD

INSTALL JUMPER TO PAD '1' ON FIRST MEMORY BOARD, TO PAD '2' ON SECOND MEMORY BOARD, ETC.

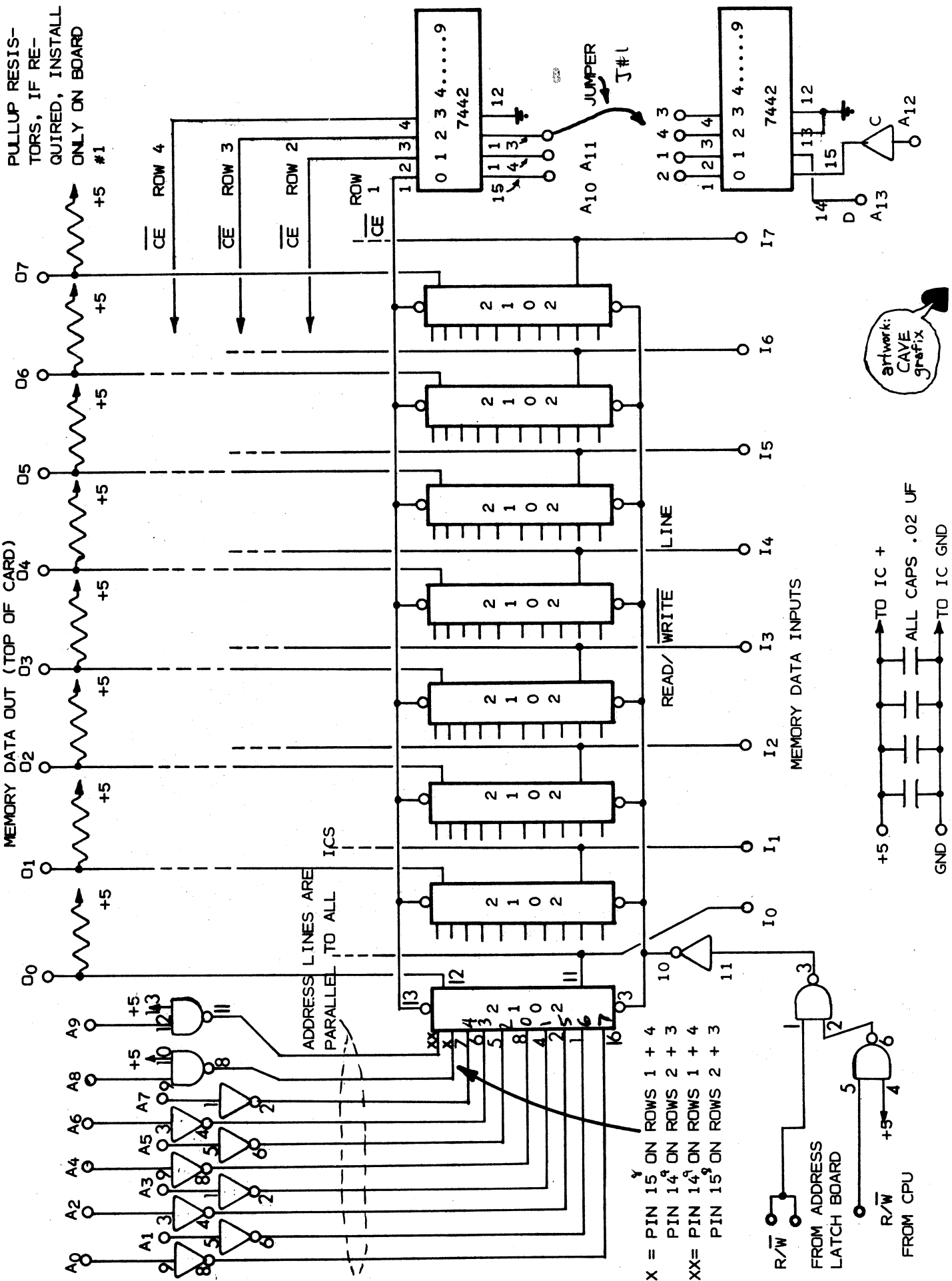
IF PULLUP RESISTORS ARE REQUIRED, INSTALL SHORT PIECE OF WIRE THRU HOLE & SOLDER TO BOTH SIDES OF BOARD.



INSTALL PULLUP RESISTORS ON OUTPUT BUSS ONLY IF REQUIRED. INSTALL RESISTORS ON FIRST MEMORY BOARD ONLY.

2102
 4K X 8
 MEMORY
 BOARD

MINIMUM BOARD CONFIGURATION 1K



PULLUP RESISTORS, IF REQUIRED, INSTALL ONLY ON BOARD

MEMORY DATA OUT (TOP OF CARD)

ADDRESS LINES ARE PARALLEL TO ALL ICS

X = PIN 15 ON ROWS 1 + 4
PIN 14 ON ROWS 2 + 3
XX= PIN 14 ON ROWS 1 + 4
PIN 15 ON ROWS 2 + 3

artwork: CAVE grafix

+5.0 GND TO IC + ALL CAPS .02 UF TO IC GND